

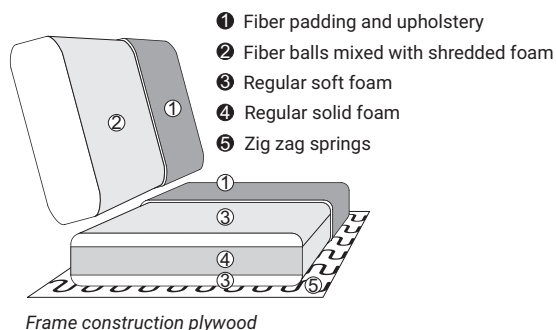
Dover



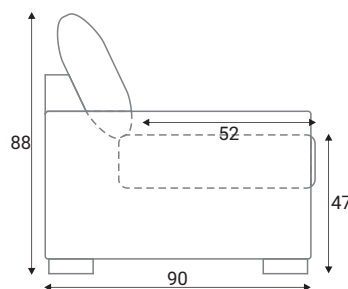
Dover



Comfort



Extra dimensions



Legs



W02
Plywood,
painted black



WM02
Plywood,
chrome finishing



W07
Plywood,
painted black

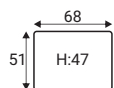


M03
Metal, chrome



M04
Metal, black

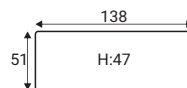
Accessories



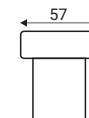
Footstool
F1/F1 OL



Footstool F2

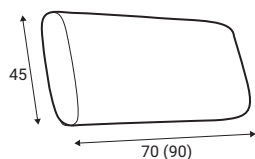


Footstool F3

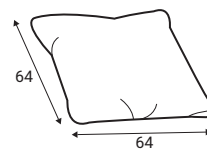


Neckrest

Back cushion options



Standard back cushion

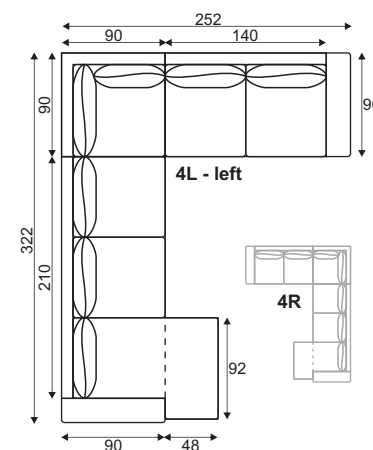
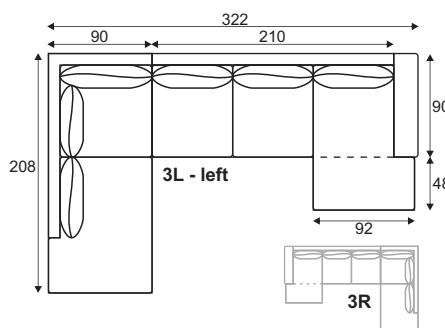
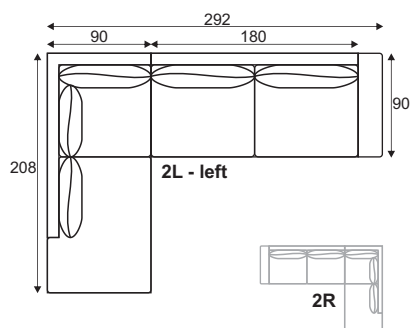
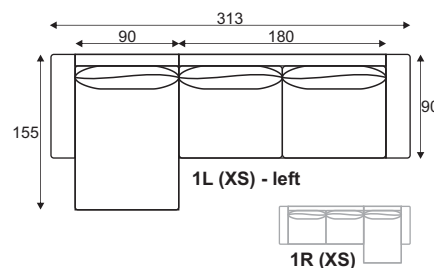
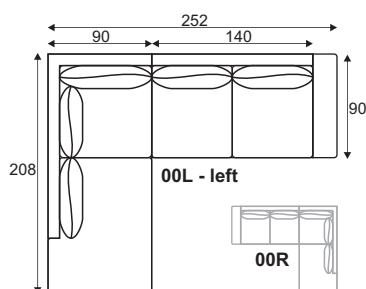
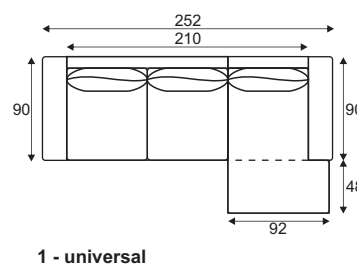
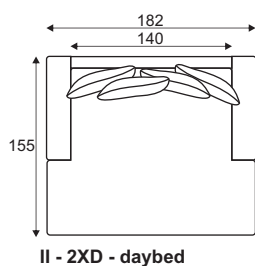
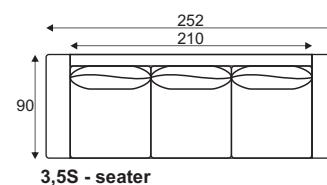
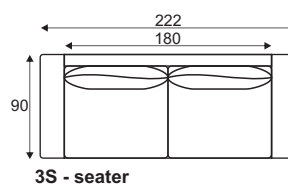
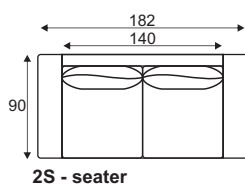
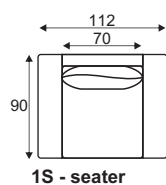


Loose (II) back cushion

Dover



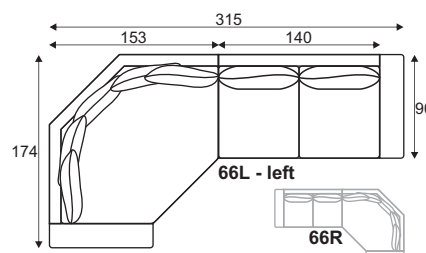
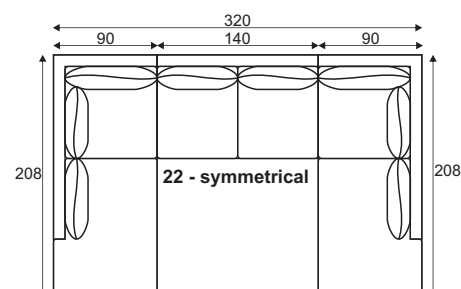
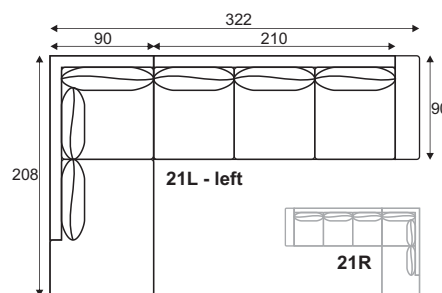
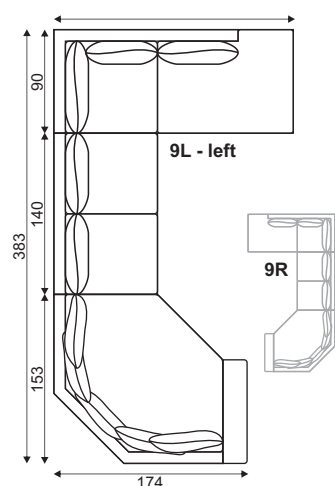
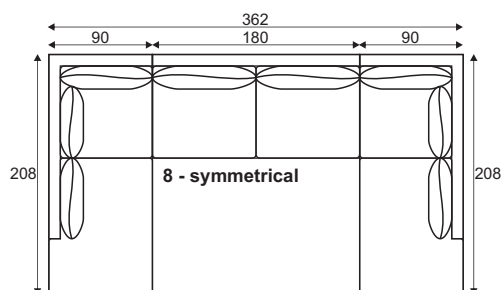
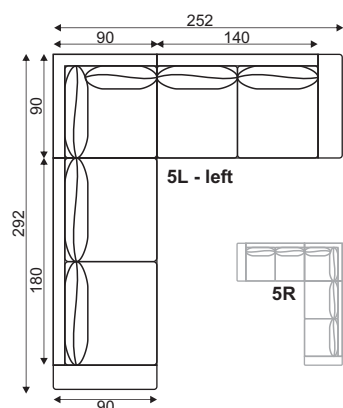
Standard sets



Dover



Standard sets



Furniture features in symbols



- Seat and back cushions are loose from the frame.



- Fabric



- Removable cover for loose cushions.
(For maintenance please check fabric information.)

GRAFU reserves the right to change construction of products and components used due to improving durability of product and customer satisfaction without any further notice. Upholstered furniture is handmade using soft materials there fore measurements may vary up to +/- 3cm. Slight colour variations may occur between production batches. For technological reasons variations in color shades are acceptable.